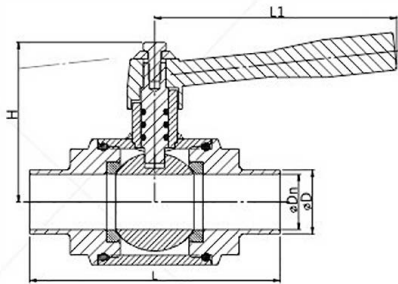
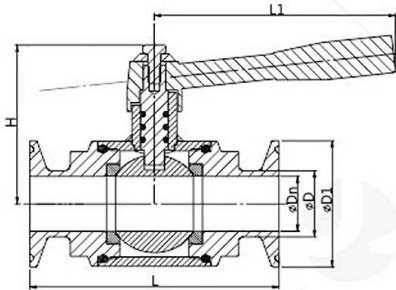


# 新型球阀

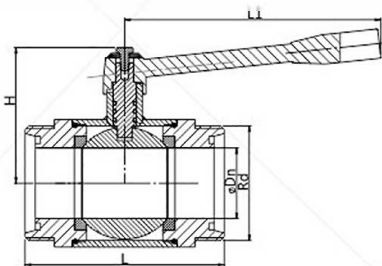
# NEW STYLE BALL VALVE



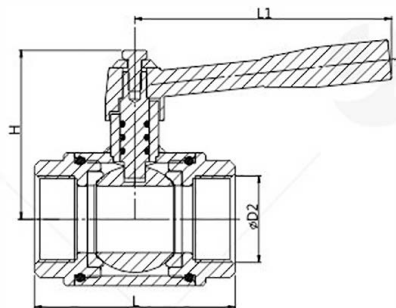
NO.RVB160302



NO.RVB160301



NO.RVB160303



NO.RVB160304

### 3A 新型快装/焊接直通手动球阀

3A NEW-TYPE QUICK-INSTALL/WELDED MANUAL DIRECT WAY BALL VALVE

SIZE	ΦDn	ΦD	ΦD1	L	L1	H
1/2"	9.4	12.7	25.2	75	97	49
3/4"	15.8	19.1	25.2	100	97	53
1"	22.1	25.4	50.5	100	116	64
1.25"	28.5	31.8	50.5	100	116	64
1.5"	34.8	38.1	50.5	116	140	71
2"	47.5	50.8	64	136	175	93
2.5"	60.2	63.5	77.5	165	200	103
3"	72.9	76.2	91	172	200	110
4"	97.4	101.6	119	260	333	151

### DIN 新型快装/焊接直通手动球阀

DIN NEW-TYPE QUICK-INSTALL/WELDED MANUAL DIRECT WAY BALL VALVE

SIZE	ΦDn	ΦD	ΦD1	L	L1	H
DN15	15	18	34	75	97	49
DN20	19	22	34	100	97	53
DN25	25	28	50.5	100	116	64
DN32	31	34	50.5	100	116	64
DN40	37	40	50.5	116	140	71
DN50	49	52	64	136	175	93
DN65	66	70	91	165	200	103
DN80	81	85	106	172	200	110
DN100	100	104	119	260	333	151

### DIN 新型螺纹直通手动球阀

DIN NEW-TYPE MALE THREADED MANUAL DIRECT WAY BALL VALVE

SIZE	ΦDn	Rd	L	L1	H
DN15	15	Rd34X1/8	87	97	49
DN20	19	Rd44X1/6	97	97	53
DN25	25	Rd52X1/6	109.5	116	64
DN32	31	Rd58X1/6	108	116	70
DN40	37	Rd65X1/6	116	140	71
DN50	49	Rd78X1/6	136	175	93
DN65	66	Rd95X1/6	165	200	103
DN80	81	Rd110X1/4	180	200	110
DN100	100	Rd130X1/4	210	333	151

### 新型内螺纹直通手动球阀

NEW-TYPE FEMALE THREADED MANUAL DIRECT WAY BALL VALVE

SIZE	ΦD2			L	L1	H
	G	NPT	BSPT			
1/2"	1/2"	1/2"	1/2"	75.5	97	49
3/4"	3/4"	3/4"	3/4"	75.5	97	53
1"	1"	1"	1"	75.5	116	64
1.25"	1.25"	1.25"	1.25"	94.5	116	70
1.5"	1.5"	1.5"	1.5"	108	140	71
2"	2"	2"	2"	116	175	93
2.5"	2.5"	2.5"	2.5"	136	200	103
3"	3"	3"	3"	165	200	110
4"	4"	4"	4"	180	333	151