

蝶式球阀 BUTTERFLY BALL VALVE



快装手动蝶式球阀
manual quick install butterfly ball valve

应用 APPLICATIONS:

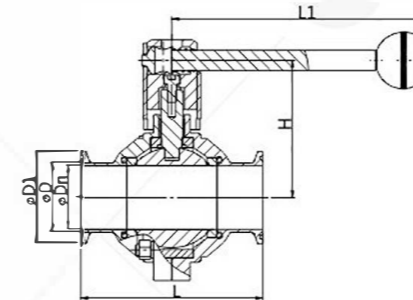
该系列阀门是一款自动或手动操纵的蝶式球阀系列，因其能很好的处理粘性或含有颗粒物的介质，从而广泛应用于食品，饮料，酿酒，制药及化工等领域。
This type of valve is a kind of automatically or manually manipulation of butterfly type ball valve, because of it can be very good deal with viscous or medium with particulate, which is widely used in food, beverage, pharmaceutical and chemical industrial piping system, to regulate and control the medium flow in the system.

设计特点 DESIGN FEATURES:

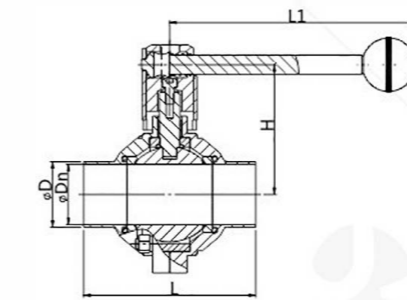
- 无需维护
- 比其它阀门更小更轻
- 操纵扭矩小
- 无论何种液体流向，手柄可以安装在侧边的阀体上
- 无论何种连接方式，阀体都可更换，且不会改变阀门的总长度
- 可配气动或电动执行器
- 可带CIP清洗口
- 工作温度：EPDM(-40~+120°C)、PTFE(-40~+130°C)、FPM (-40~+180°C)
- 工作压力：0~10bar
- 物料接触部位材质为304/316L，其它部位304，密封材质EPDM、VMQ、FPM
- 连接方式：快装，焊接，螺纹，法兰
- Size: 1"-4" 标准：3A、DIN、SMS、IDF、RJT、BPE、ISO

- Free maintenance
- Portable and compact
- Small torque moment
- Valve body can be replaced in any connections, and the length will not change.
- Handle can be installed on the side of the valve body, no matter of the flow direction.
- It can match with pneumatic and electric actuators.
- It can match with wash mouth.
- Working temperature: EPDM(-40~+120°C), PTFE(-40~+130°C), FPM (-40~+180°C)
- Pressure of work: 0~10bar
- Material for the part contacted with media is 304/316L, other part is 304. Sealing material: EPDM, VMQ, FPM
- Connection: clamp, weld, thread, flange
- Size: 1" -4" /DN25-100 Standards: 3A, DIN, SMS, IDF, RJT, BPE, ISO

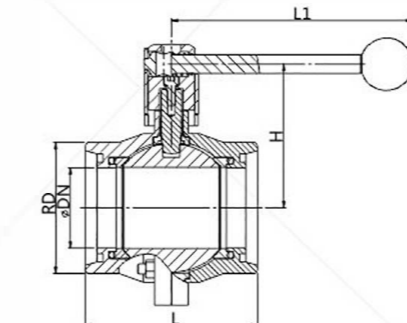
蝶式球阀 BUTTERFLY BALL VALVE



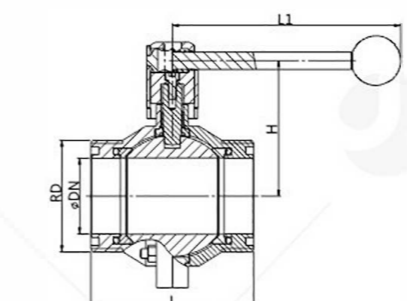
NO.RVB160401



NO.RVB160402



NO.RVB160403



NO.RVB160404

3A快装/焊动手动蝶式球阀

3A MANUAL QUICK INSTALL/WELDED BUTTERFLY BALL VALVE

SIZE	ΦDn	ΦD	ΦD1	L	L1	H	□ KXX
1/2"	9.4	12.7	25.2	70	143	60	10x10
3/4"	15.8	19.1	25.2	70	143	60	10x10
1"	22.1	25.4	50.5	85	143	68	10x10
1.25"	28.5	31.8	50.5	85	143	68	10x10
1.5"	34.8	38.1	50.5	100	143	75	10x10
2"	47.5	50.8	64	110	143	85	10x10
2.5"	60.2	63.5	77.5	125	143	107	10x10
3"	72.9	76.2	91	135	186	117	11X11
4"	97.4	101.6	119	170	215	140	14x14

DIN快装/焊动手动蝶式球阀

DIN MANUAL QUICK INSTALL/WELDED BUTTERFLY BALL VALVE

SIZE	ΦDn	ΦD	ΦD1	L	L1	H	□ KXX
DN15	15	18	34	70	143	60	10x10
DN20	19	22	34	70	143	60	10x10
DN25	25	28	50.5	85	143	68	10x10
DN32	31	34	50.5	85	143	68	10x10
DN40	37	40	50.5	100	143	75	10x10
DN50	49	52	64	110	143	85	10x10
DN65	66	70	91	125	143	107	10x10
DN80	81	85	106	135	186	117	11X11
DN100	100	104	119	170	215	140	14x14

DIN 螺纹手动蝶式球阀

DIN MANUAL THREADED BUTTERFLY BALL VALVE

SIZE	ΦDN	RD	L	L1	H	□ KXX
DN15	15	Rd34X1/8	70	143	60	10x10
DN20	19	Rd44X1/6	70	143	60	10x10
DN25	25	Rd52X1/6	85	143	68	10x10
DN32	31	Rd58X1/6	85	143	68	10x10
DN40	37	Rd65X1/6	100	143	75	10x10
DN50	49	Rd78X1/6	102	143	85	10x10
DN65	66	Rd95X1/6	125	143	107	10x10
DN80	81	Rd110X1/4	135	186	117	11X11
DN100	100	Rd130X1/4	170	215	140	14x14

SMS 螺纹手动蝶式球阀

DIN MANUAL THREADED BUTTERFLY BALL VALVE

SIZE	ΦDN	RD	L	L1	H	□ KXX
19	15.8	Rd34X1/8	70	143	60	10x10
25	22.4	Rd40X1/6	85	143	60	10x10
32	28.8	Rd48X1/6	85	143	60	10x10
38	35.1	Rd60X1/6	100	143	68	10x10
51	47.8	Rd70X1/6	102	143	85	10x10
63	60.5	Rd85X1/6	125	143	107	10x10
76	73.2	Rd98X1/6	135	186	117	11X11
89	84.9	Rd105X1/6	135	186	117	11X11
101.6	97.6	Rd125X1/4	170	215	140	14x14
101.6	97.6	Rd132X1/6	170	215	140	14x14