

卡箍式无滞留球阀
**CLAMPED TYPE
 NON-RETENTION BALL VALVE**



快装/焊接卡箍式无滞留球阀
 Quick-install/welded clamped non-retention ball valve

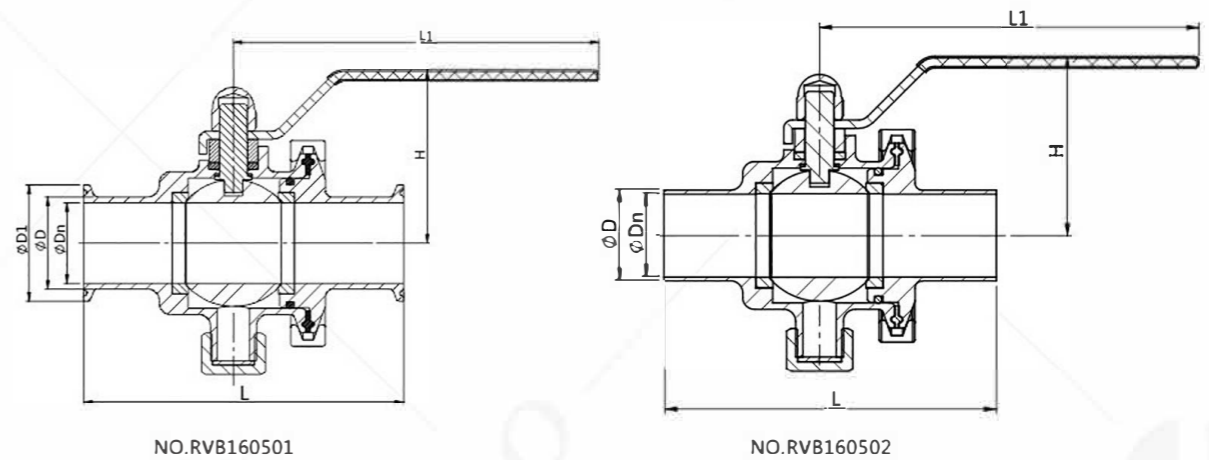
应用 APPLICATIONS:

该类型阀门适用于生物制药领域。
 This kind of ball valve is applied to pharmacy and biotechnology industries.

设计特点 DESIGN FEATURES:

- 阀体组合卡箍连接
- 无需专业工具即可拆卸阀门
- 操作扭矩小
- 带排泄口
- 垫圈根据FDA177.2600
- 连接方式：快装、焊接、螺纹
- Size: 1" -4" /DN25-DN100 标准：3A、DIN、SMS、IDF、RJT、BPE、ISO
- 无论何种连接方式，阀体都可更换，且不会改变阀门的总长度
- Valve bodies combined with clamp connection.
- Easily disassemble without special tools.
- Small Operating torque.
- With cleaning and drainage port.
- Gasket complies with PTFE FDA 177.2600
- Connection: clamp,weld,thread
- Size: 1" -4" /DN25-DN100 Standard: 3A,DIN,SMS,IDF,RJT,BPE,ISO
- Valve body can be replaced in any connections, and the length will not change.

卡箍式无滞留球阀
**CLAMPED TYPE
 NON-RETENTION BALL VALVE**



3A

SIZE	ΦD_n	ΦD	ΦD_1	L	L1	H
1/2"	9.4	12.7	25.2	90	110	60
3/4"	15.8	19.1	25.2	93	114	62
1"	22.1	25.4	50.5	124	140	63
1.25"	28.5	31.8	50.5	128	140	70
1.5"	34.8	38.1	50.5	139	160	75
2"	47.5	50.8	64	165	175	94
2.5"	60.2	63.5	77.5	190	225	121
3"	72.9	76.2	91	210	250	126
4"	97.4	101.6	119	260	333	147

DIN

SIZE	ΦD_n	ΦD	ΦD_1	L	L1	H
DN15	15	18	34	90	110	60
DN20	19	22	34	93	114	62
DN25	25	28	50.5	124	140	63
DN32	31	34	50.5	128	140	70
DN40	37	40	50.5	139	160	75
DN50	49	52	64	165	175	94
DN65	66	70	91	190	225	121
DN80	81	85	106	210	250	126
DN100	100	104	119	260	333	147