

三片式全包球阀 3 PC FULL PACKAGE BALL VALVE



快装三片式气动全包球阀 (可调)
Quick install three piece pneumatic
full package ball valve (adjustable)



螺纹三片式气动全包球阀
Threaded three piece pneumatic
full package ball valve



焊接三片式手动全包球阀
Welded three piece manual
full package ball valve



螺纹三片式手动全包球阀
Threaded three piece manual
full package ball valve



快装三片式手动全包球阀
Quick install three piece manual
full package ball valve



快装三片式手动高平台全包球阀
Quick install three piece manual high
platform full package ball valve



焊接三片式高平台全包球阀
Welded three piece high platform
full package ball valve

三片式全包球阀

3 PC FULL PACKAGE BALL VALVE

应用 APPLICATIONS:

主要应用于食品、饮料、酿酒、生物制药、化工等领域。

It applied in food , beverage, wine, pharmaceutical and chemical industries.

设计特点 DESIGN FEATURES:

全包覆式阀座设计，无滞留高洁净，满足CIP/SIP杀菌和清洗要求，耐温180°C，压力10bar。

可配置各种执行机构，如电动、不锈钢立式气动、卧式气动、手柄（可带锁扣），还可加装控制单元、定位器、位置传感器等可兼容自动控制系统。

无论何种连接方式，阀体都可更换，且不会改变阀门的总长度。

连接方式：快装、焊接、螺纹、法兰

物料接触部位材质为304/316L，其它部位304

密封圈材质：PTFE,符合FDA117.2600

尺寸：1/4" -4" / DN10-DN100 标准：3A, DIN, SMS, IDF, RJT, BPE, ISO

All-inclusive tee design, no stranded high clean, meet the requirement of CIP and SIP sterilization and cleaning, and heat resistance of 180°C, the highest pressure 10 bar.

Available with a variety of structures, such as electric pneumatic, stainless steel, horizontal vertical pneumatic, key manually handle, can also be equipped with the control unit, locato, position sensor and other compatible automatic control system.

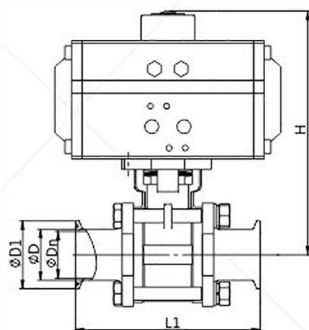
Valve body can be replaced in any connections, and the length will not change.

Connection: clamp, weld, thread, flange

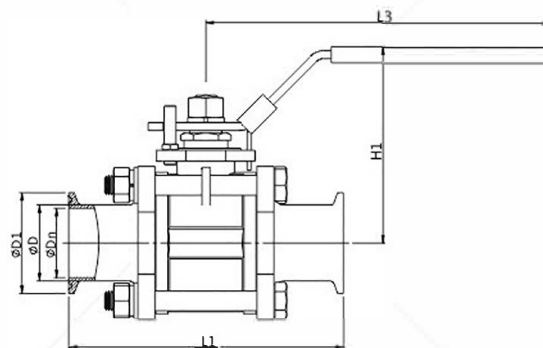
Material for the part contacted with media is 304/316L, other part is 304.

Sealing material: PTFE, it is according to FDA117.2600

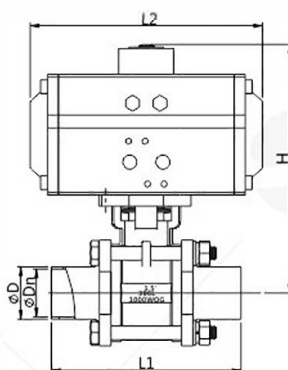
Size: 1/2" -4" / DN10-100 Standards: 3A, DIN, SMS, IDF, RJT, BPE, ISO



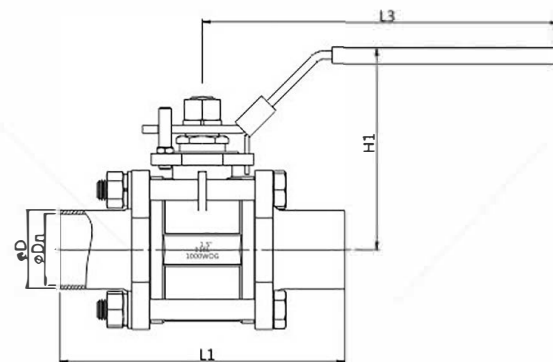
NO.RVB160101



NO.RVB160102



NO.RVB160103



NO.RVB160104

三片式全包球阀 3 PC FULL PACKAGE BALL VALVE



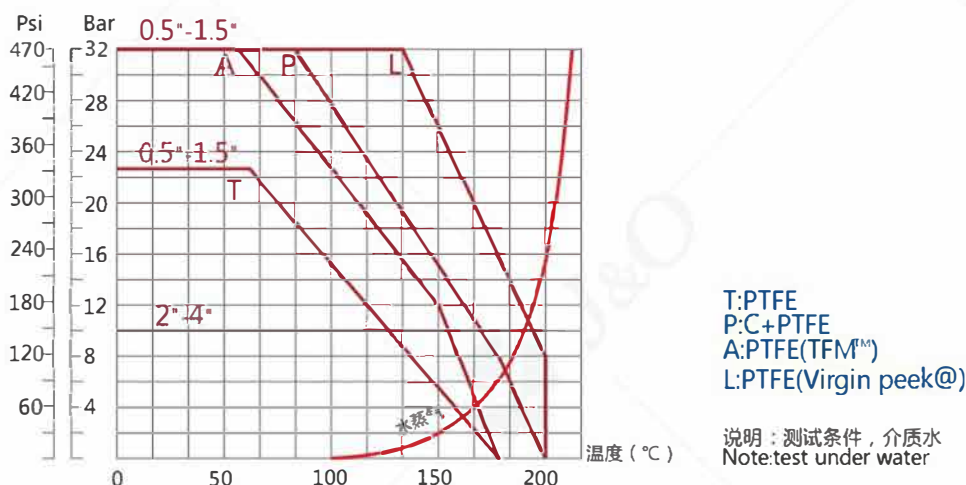
3A

SIZE	ΦDn	ΦD	ΦD1	L1	L2	L3	H1	H	□KXK
1/2"	9.4	12.7	25.2	90	145	130	60.5	128	9X9
3/4"	15.8	19.1	25.2	102	145	130	64.5	134.5	9X9
1"	22.1	25.4	50.5	114	145	170	78	144	11X11
1.25"	28.5	31.8	50.5	125	145	170	87	152.5	11X11
1.5"	34.8	38.1	50.5	138	169	173	98	179.5	14X14
2"	47.5	50.8	64	156	201	173	107	198.5	14X14
2.5"	60.2	63.5	77.5	170	209	223	130	222.5	14X14
3"	72.9	76.2	91	197	242	335	153	249.5	17X17
4"	97.4	101.6	119	242	332	335	169	297	17X17

DIN

SIZE	ΦDn	ΦD	ΦD1	L1	L2	L3	H1	H	□KXK
DN15	15	18	34	90	145	130	60.5	128	9X9
DN20	19	22	34	102	145	130	64.5	134.5	9X9
DN25	25	28	50.5	114	145	170	78	144	11X11
DN32	31	34	50.5	125	145	170	87	152.5	11X11
DN40	37	40	50.5	138	169	173	98	179.5	14X14
DN50	49	52	64	156	201	173	107	198.5	14X14
DN65	66	70	91	170	209	223	130	222.5	14X14
DN80	81	85	106	197	242	335	153	249.5	17X17
DN100	100	104	119	242	332	335	169	297	17X17

球阀压力-温度曲线图
Pressure And Temperature Curve



三片式全包球阀扭矩表
THE N.M OF 3 PC FULL PACKAGE BALL VALVE

SIZE	1/2" -3/4"	1"/DN25	1.25"/DN32	1.5"/DN40	2"/DN50	2.5"/DN65	3" Dn80	4"/DN100
扭矩N.M	6	10	12	14	20	40	75	110

选择执行器时建议增加20%安全余量
Advice: increasing 20% Safety Margin When Selecting Actuators